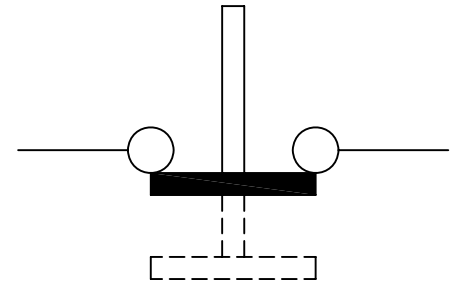
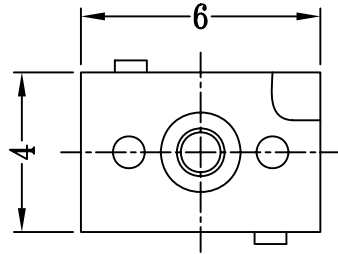
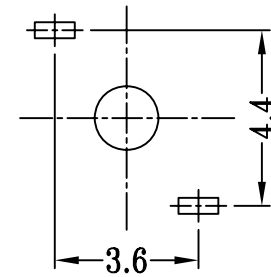
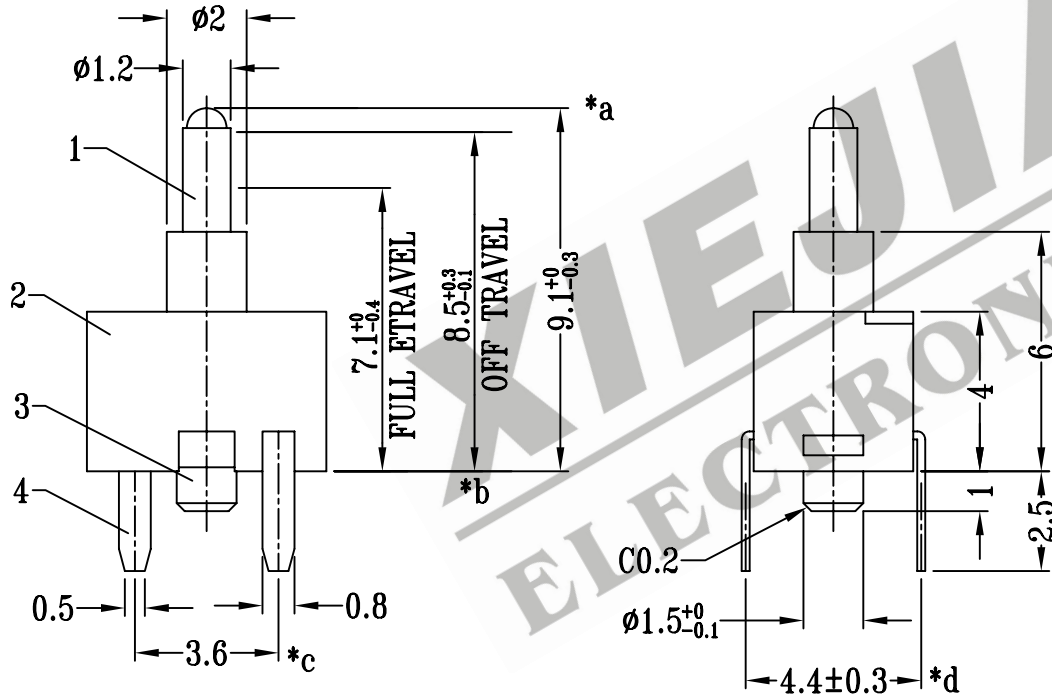


CAD FILE:



SCHEMATIC



P.C.B LAYOUT

注：“\*”表示关键尺寸（4个）

NO.	PART NAME	MATERIAL	Q'TY	FINISHING	TOLERANCE UNLESS SPECIFIED	SHENZHEN XIEJIA ELECTRONICS CO.,LTD.				
8										
7										
6	SPRING	STAINLESS STEEL	1	TEMPER	WITHIN: 1.5±0.1mm	ISSUE	DATE	DESCRIPTIONS		APPD.
5	CONTACT CLIP	PBS	1	Ag CLAD	OVER : 1.5±0.2mm					
4	TERMINAL	BRASS STRIP	2	Ag PLATED OVER Ni PLATED	TITLE : TACT SWITCH	UNIT : MM		DRWG NO.: XJ-DR-TC0090-00		
3	BASE	PC	1	CLEAR	MODEL: TC-0090	SCALE: 5 : 1		DWN.	ZHOUYU	2004-4-6
2	CASE	PA46	1	BLACK	ALL MATERIALS MUST BE COMPLIANT TO ROHS			CHK'D	FANGYING	2004-4-6
1	KNOB	POM	1	BLACK				APPD.	KANGXINAN	2004-4-6